

CASCOS

LIFTING PROFESSIONALS

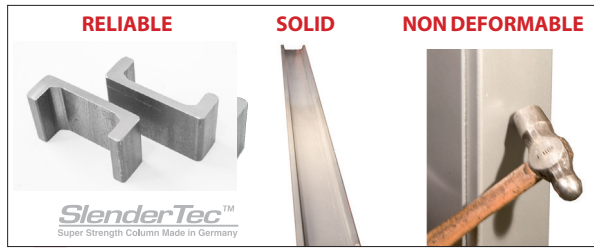


2 POST LIFTS

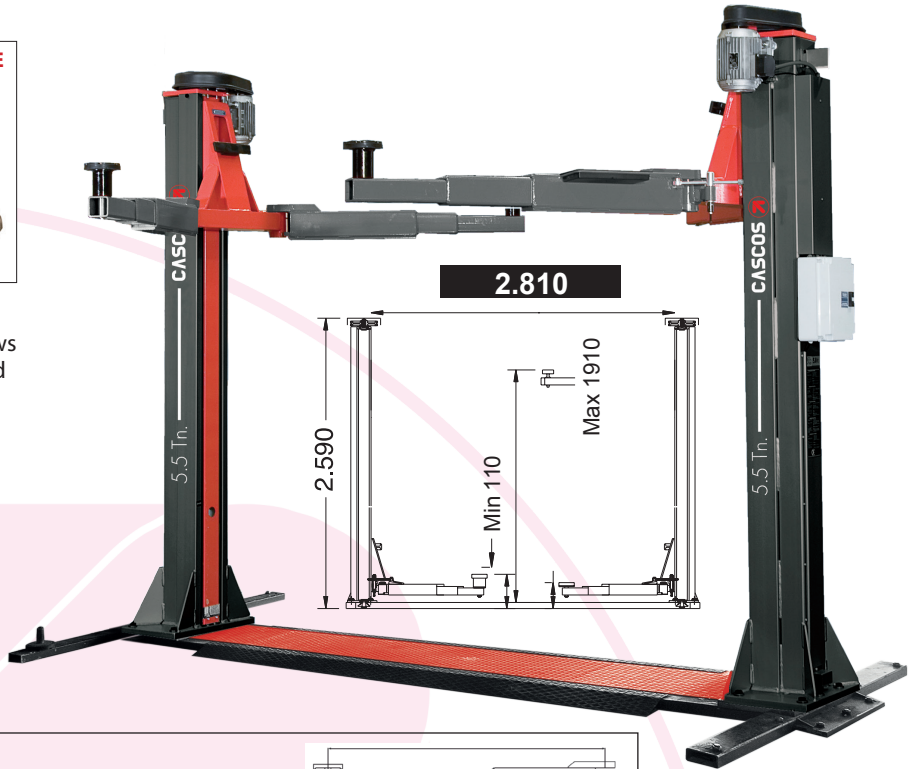
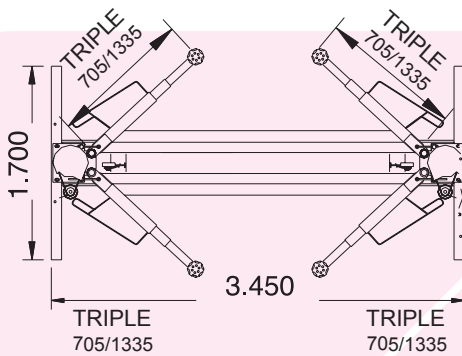
C5.5



Ref.				
13998	5.500 Kg.	1.250 Kg.	400/230V - 3+3kW	40"



Ours special profiles **SlenderTec™** Super Strength Column Made in Germany allows us to manufacture extremely resistant and less bulky posts.



Set of pads included 60-100 mm. Max 1.335 / Min 705 **4 X**

Reversibility

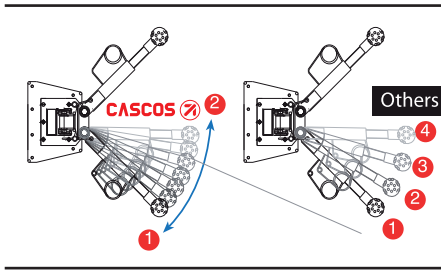


2006/42/CE & EN - 1493:2011 European Directives & Approved Standards

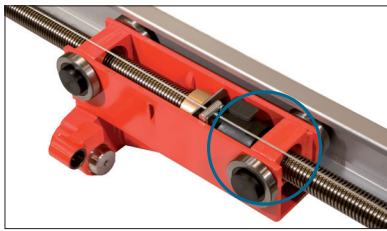


✓ Exclusive details

Our locking mechanism, via spindle as opposed to the cog style, allows for far **greater choice of positioning for the operator**.

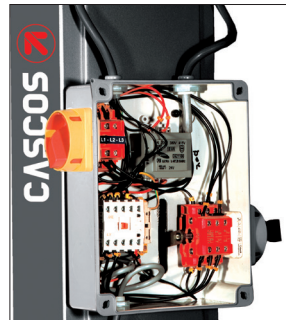
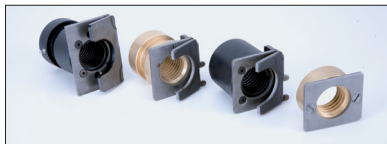


High quality guided steel bearings offer **longer durability** than nylon guides.



The biggest diameter spindle on the market and high quality nuts offer:

- Less wear.
- Longer lasting life.



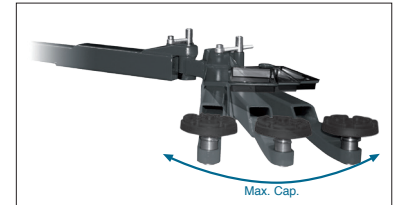
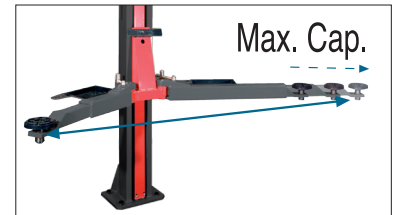
Maximum reliability, mechanical and electrical.



Chain driver transmission **integrated on the solid base**

Maximum load APPROVED

In any position!



CASCOS lifts, against the others from our main competitors, can lift the **maximum load at:**

- Any opening angle..
- Arm extension..

• Tool trays.

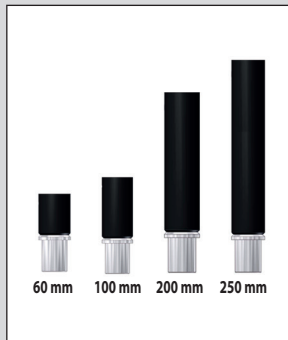
• Rubber protections on post for safe door opening.

• Spindle protection



Accessories

Quick pads kit



Pads Magnetic holder



Magnetic holder for tools



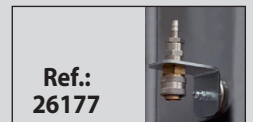
Ref.: 26141

Integrated power plug (Assembled in factory)



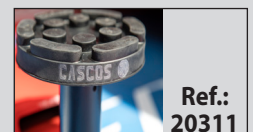
Ref.: 22163

Magnetic air Kit



Ref.: 26177

Original spare part



Ref.: 20311

