

CASCOS

LIFTING PROFESSIONALS

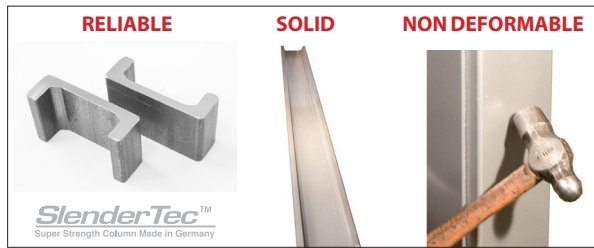


2 POST LIFTS

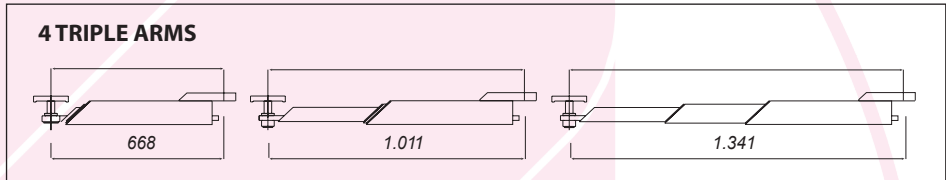
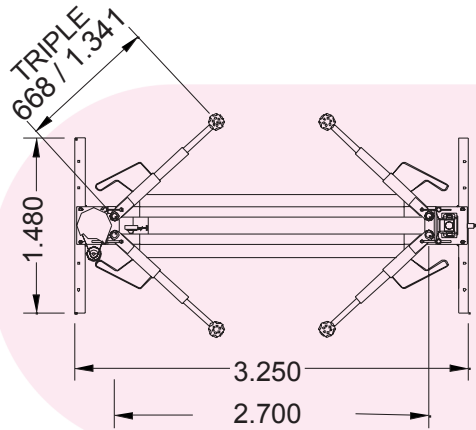
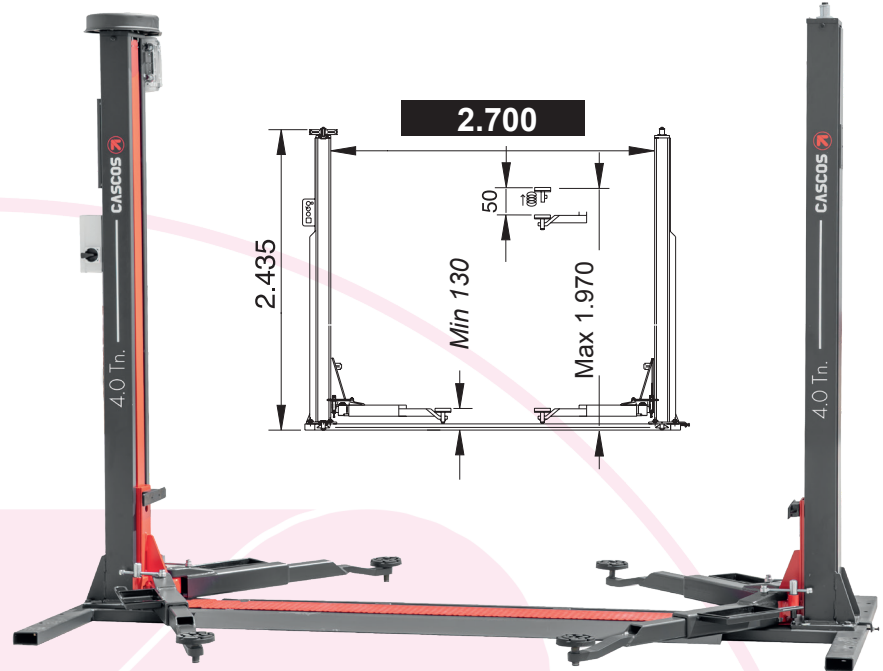
C4



Ref.				
13194	4.000 Kg.	800 Kg.	400/230V - 3.7kW	45"



Ours special profiles **SlenderTec™** Super Strength Column Made in Germany allows us to manufacture extremely **resistant** and **less bulky posts**.



Reversibility

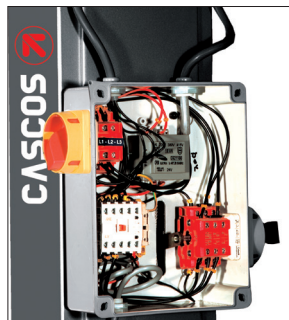
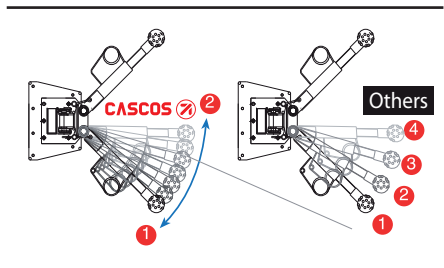


2006/42/CE & EN - 1493:2011 European Directives & Approved Standards



✓ Exclusive details

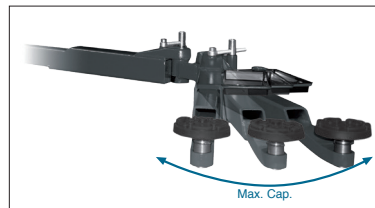
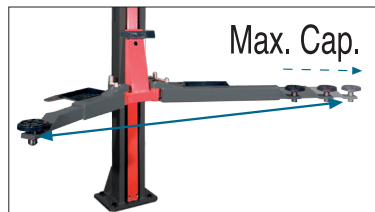
Our locking mechanism, via spindle as opposed to the cog style, allows for far **greater choice of positioning for the operator**.



Maximum reliability, mechanical and electrical.

Maximum load APPROVED

In any position!



CASCOS lifts, against the others from our main competitors, can lift the **maximum load at:**

- Any opening angle..
- Arm extension..

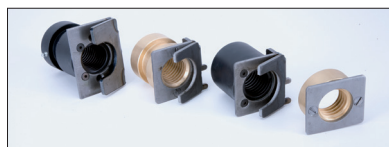
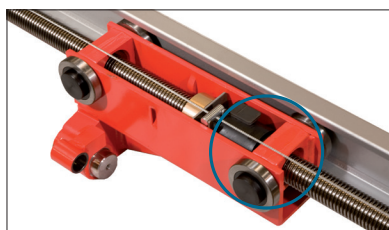


Chain driver transmission **integrated on the solid base**

- Tool trays.
- Rubber protections on post for safe door opening.
- Spindle protection



High quality guided steel bearings offer **longer durability** than nylon guides.



The biggest diameter spindle on the market and high quality nuts offer:

- Less wear.
- Longer lasting life.



Accessories

Triple spindle

ASSEMBLED IN FACTORY

Standard spindle
H.max. 141
H.min. 100
+40

Optional triple spindle
H.max. 236/292
H.min. 100/131
+136

At the time of purchase, we could advise you to choose the most accurate to your needs.

Quick pads kit

60 mm 100 mm 200 mm 250 mm

Pads Magnetic holder



Magnetic holder for tools

Ref.: 26141

Magnetic air Kit

Ref.: 26177

Integrated power plug (Assembled in factory)

Ref.: 22163

Original spare part

Ref.: 20311

